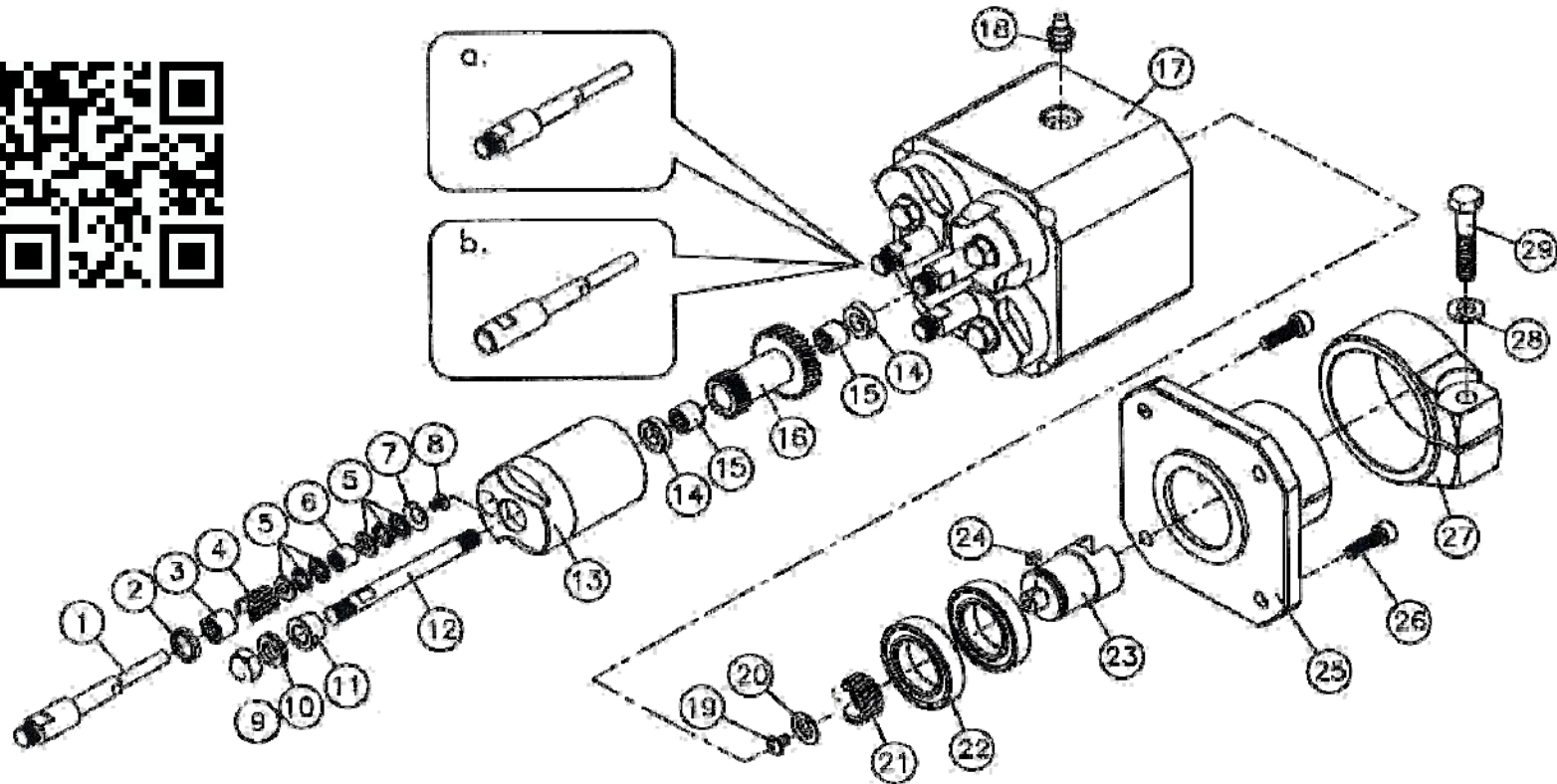


4-SPINDLE CIRCULAR BORING HEAD, MODEL: MS4C-5



ITEM	Q'TY	DESCRIPTION	ITEM	Q'TY	DESCRIPTION	ITEM	Q'TY	DESCRIPTION
1	4	SPINDLE	11	4	CONICAL WASHER	21	1	DRIVE SPINDLE GEAR
2	4	OIL SEAL	12	4	PRECISION STUD	22	2	BALL BEARING
3	4	NEEDLE BEARING	13	4	TURRET	23	1	DRIVE SPINDLE
4	4	GEAR	14	8	THICK BRASS SPACER	24	1	KEY
5	8	THRUST BEARING	15	8	NEEDLE BEARING	25	1	ADAPTER
6	4	NEEDLE BEARING	16	4	GEAR SET	26	4	SOCKET HEAD SCREW
7	4	BELLEVILLE WASHER	17	1	HOUSING	27	1	ADAPTER CLAMP
8	4	SOCKET HEAD SCREW	18	1	GREASE FITTINGS	28	1	ADAPTER CLAMP LOCK WASHER
9	4	NUT	19	1	SOCKET HEAD SCREW	29	1	ADAPTER CLAMP BOLT
10	4	SPACER	20	1	SPACER	30	4	COLLET (PLEASE SPECIFY SIZE)
						31	4	COLLET NUT