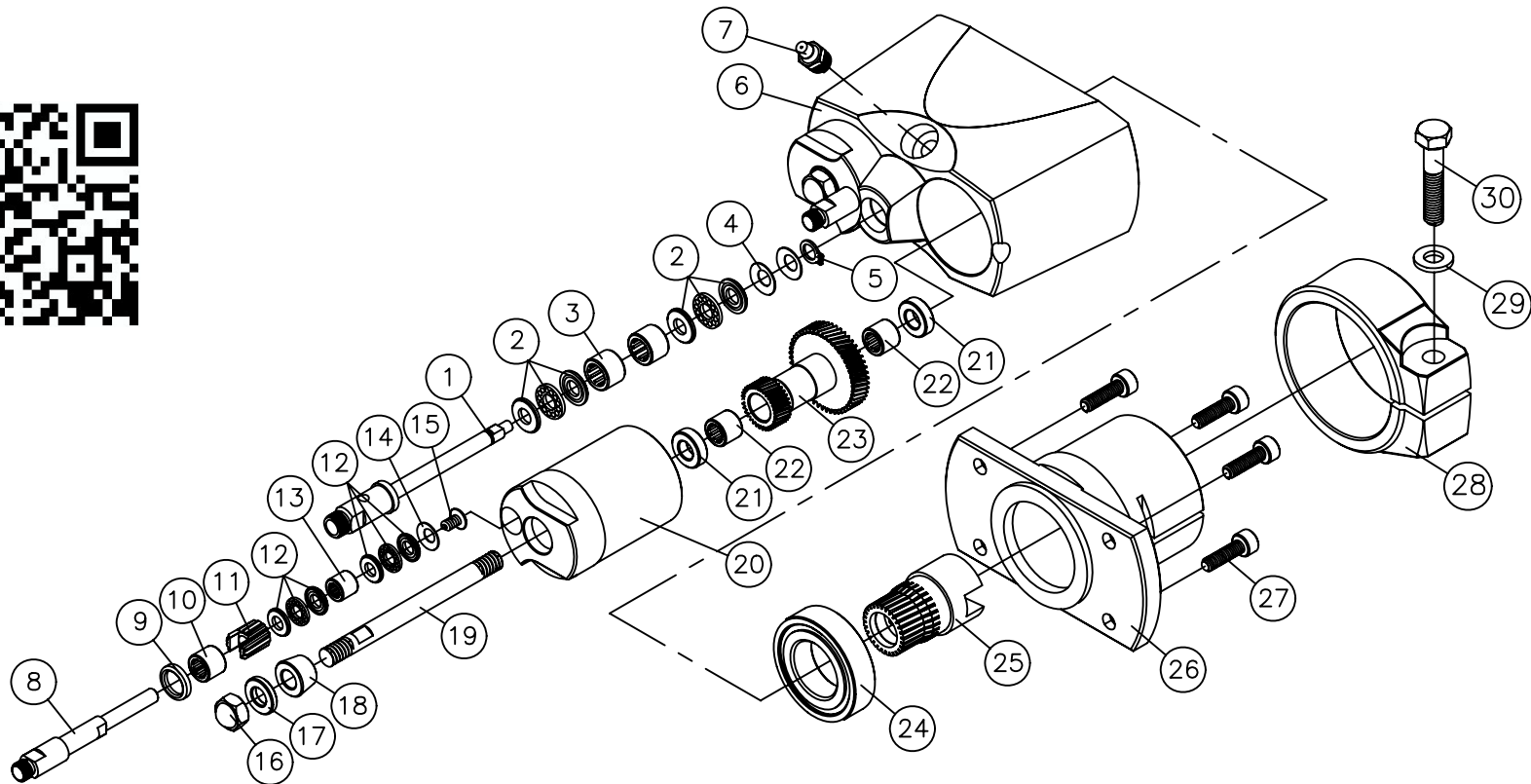


THREE SPINDLE IN-LINE ADJUSTABLE DRILLING HEAD, MODEL MS3L-5



ITEM	QTY	DESCRIPTION	ITEM	QTY	DESCRIPTION	ITEM	QTY	DESCRIPTION
1	1	INTERMEDIATE SPINDLE	12	4	THRUST BEARING	23	2	GEAR SET
2	2	THRUST BEARING	13	2	NEEDLE BEARING	24	1	BALL BEARING
3	2	NEEDLE BEARING	14	2	BELLEVILLE WASHER	25	1	DRIVE SPINDLE
4	2	BELLEVILLE WASHER	15	2	SOCKET HEAD SCREW	26	1	ADAPTER
5	1	SNAP RING	16	2	NUT	27	4	SOCKET HEAD SCREW
6	1	GREASE FITTING	17	2	SPACER	28	1	ADAPTER CLAMP
7	1	HOUSING	18	2	CONICAL WASHER	29	1	ADAPTER CLAMP WASHER
8	2	SPINDLE	19	2	PRECISION STUD	30	1	ADAPTER CLAMP BOLT
9	2	OIL SEAL	20	2	TURRET	31	3	COLLET
10	2	NEEDLE BEARING	21	4	BRASS THICK WASHER	32	3	COLLET NUT
11	2	GEAR	22	4	NEEDLE BEARING			31 & 32 NOT SHOWN