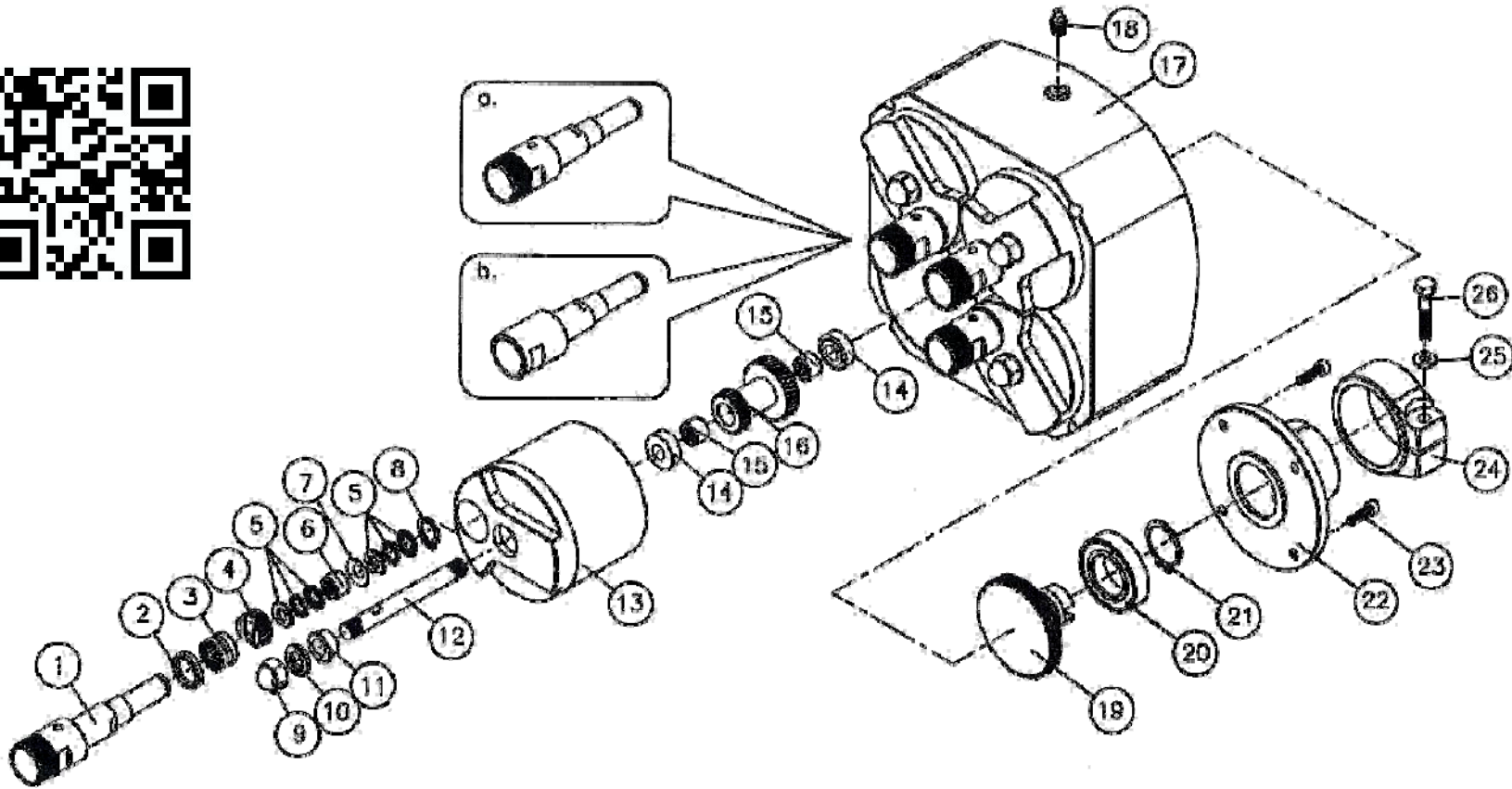


4-SPINDLE CIRCULAR BORING HEAD, MODEL: MS4C-16



| ITEM | QTY | DESCRIPTION | ITEM | QTY | DESCRIPTION | ITEM | QTY | DESCRIPTION |
|------|-----|-------------------|------|-----|--------------------|------|-----|--|
| 1 | 4 | SPINDLE | 11 | 4 | CONICAL WASHER | 21 | 1 | SNAP RING |
| 2 | 4 | OIL SEAL | 12 | 4 | PRECISION STUD | 22 | 1 | ADAPTER |
| 3 | 4 | NEEDLE BEARING | 13 | 4 | TURRET | 23 | 4 | SOCKET HEAD SCREW |
| 4 | 4 | GEAR | 14 | 8 | THICK BRASS SPACER | 24 | 1 | ADAPTER CLAMP |
| 5 | 8 | THRUST BEARING | 15 | 8 | NEEDLE BEARING | 25 | 1 | ADAPTER CLAMP LOCK WASHER |
| 6 | 4 | NEEDLE BEARING | 16 | 4 | GEAR SET | 26 | 1 | ADAPTER CLAMP BOLT |
| 7 | 4 | BELLEVILLE WASHER | 17 | 1 | HOUSING | 27 | 4 | COLLET (PLEASE SPECIFY SIZE) |
| 8 | 4 | SNAP RING | 18 | 1 | GREASE FITTINGS | 28 | 4 | COLLET NUT |
| 9 | 4 | NUT | 19 | 1 | DRIVE SPINDLE | | | 27 & 28 NOT SHOWN IN THE EXPLODED VIEW |
| 10 | 4 | SPACER | 20 | 1 | BALL BEARING | | | |